

## Safety Instructions

1

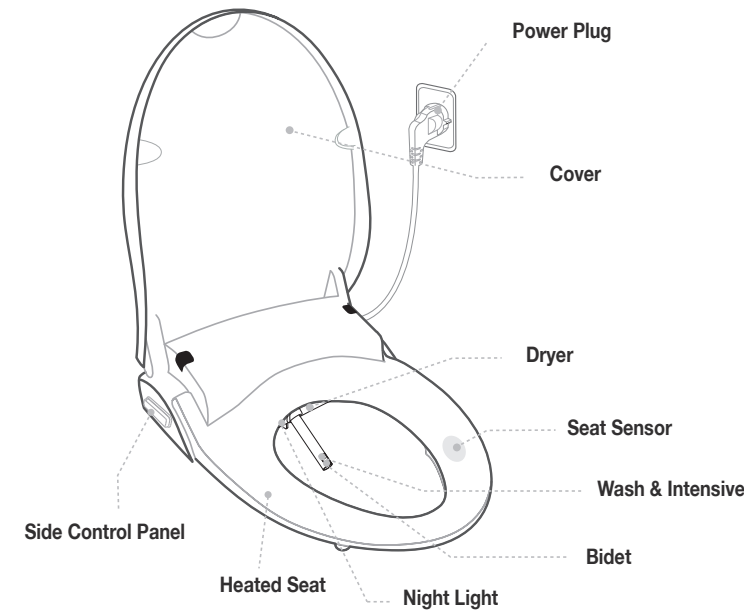
### Warning Risk of hazardous or lethal damage when violating the instructions.

### Caution Risk of injury or material damage when violating the instructions.

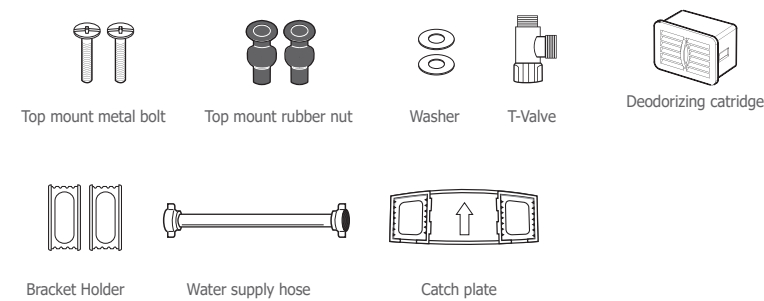
<p><b>Disassembly, modification or repair is not allowed.</b></p> <p>▶ Risk of electric shock or fire</p>	<p><b>Don't plug or touch the power cord with wet hands.</b></p> <p>▶ Risk of electric shock</p>	<p><b>Don't spray water on the main part of product or power plug.</b></p> <p>▶ Risk of electric shock or fire</p>	<p><b>Don't use the damaged power cord or outlet</b></p> <p>▶ If the supply cord is damaged, it must be replaced by the manufacturer, its service agent or similarly qualified persons in order to avoid a hazard.</p>	<p><b>Don't fail to do grounding</b></p> <p>▶ Always use the outlet that encloses the earth electrode (earth terminal mounting outlet-check if there is earth or not)</p> <p>In case there is no earth electrode, do grounding separately</p> <p>When it is not grounded, it causes the failure and electric shock.</p>	<p><b>Don't locate the cigarette or flammable materials near the product; Don't throw the cigarette into the product.</b></p>
<p><b>Don't connect the product to the water pipe of industrial use.</b></p> <p>▶ Risk of causing dermatitis of user</p>	<p><b>Don't connect power to the product before its complete installation on the toilet</b></p>	<p><b>Don't block the hot air hole nor put any object on the hole</b></p> <p>▶ Risk of burn or electric shock</p>	<p><b>When removing the product from toilet, always release the power plug first.</b></p> <p>▶ Risk of electric shock</p>	<p><b>Don't force to lean against the cover of toilet.</b></p> <p>▶ Risk of failure</p>	<p><b>When the product is not used an extended period of time, remove the power plug and drain the water out of the product tank.</b></p> <p>▶ It may cause the water rotten and result the skin disease</p>
<p><b>Don't stand on the product; don't put heavy object on it.</b></p> <p>▶ Risk of injury or damage to the product</p>	<p><b>Don't force to close the cover of toilet.</b></p> <p>▶ Risk of failure</p>	<p><b>When cleaning, don't use toilet-use detergent, benzene, thinner, etc.</b></p> <p>▶ Risk of damage to the product or crack</p>	<p><b>Don't bend the connecting hose; don't force to pull it out.</b></p> <p>▶ It may cause stoppage of water or leakage</p>	<p><b>When installing, push it in until it sounds 'Click'</b></p> <p>▶ It may cause water leakage or mal-operation</p>	<p><b>Don't use with the product out of order.</b></p> <p>▶ When it is out of order remove the plug from the outlet and inform the service center</p> <p>Otherwise, it may cause fire or electric shock</p>
<p><b>Insert the power plug correctly in 220~240V exclusive outlet.</b></p> <p>▶ Risk of heat or fire</p>	<p><b>Be cautious low temperature burn.</b></p> <p>▶ When the skin has been in contact with a seat for a long time, it may cause low temperature burn. The seat temperature should be set on Low or off when the unit is used for children, elderly persons, persons who cannot control temperature by themselves</p>	<p><b>Don't place the removed product upside down.</b></p> <p>▶ Risk of product failure</p>			

2

### Main Body

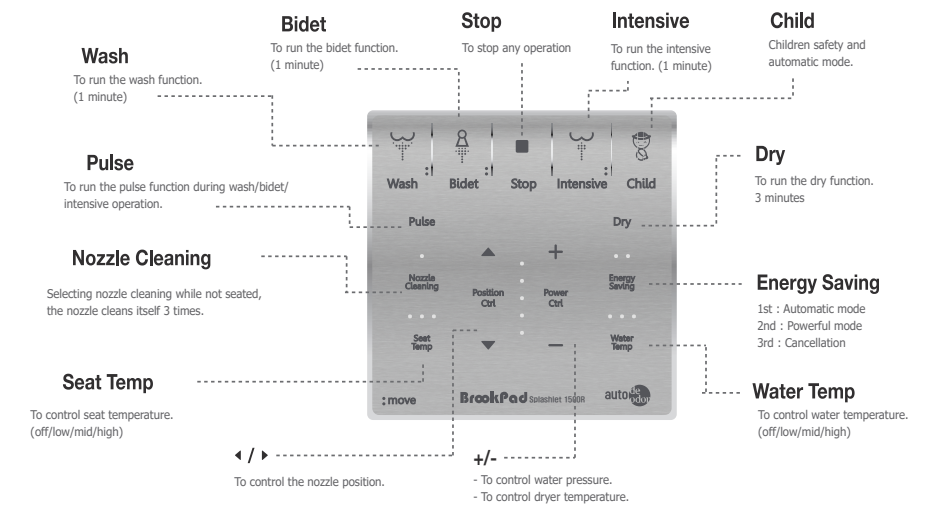


### Accessories



## Parts & Configuration & Installation

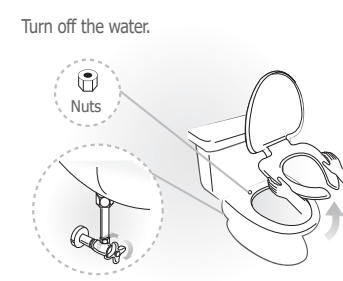
### Operation panel



3

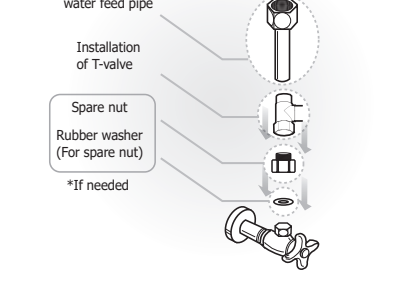
### 1 Remove the seat from the existing toilet body.

▶ Release the nuts, and then remove the seat and cover from it.  
Keep the removed seat, cover and nuts well in a proper place in case of using them again.



### 2 Remove the water hose and then install T-valve.

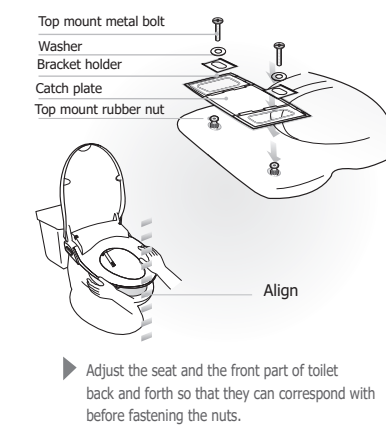
▶ Turn off the water.  
Removal of water feed pipe  
Installation of T-valve  
Spare nut  
Rubber washer (For spare nut)  
\*If needed



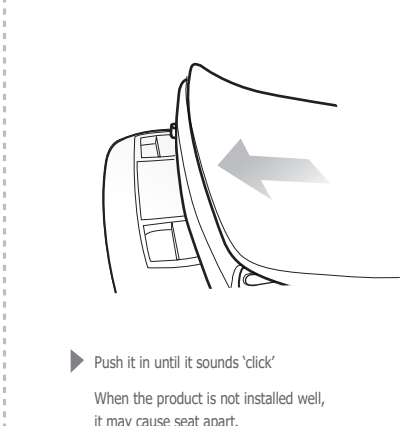
3

## Installation & Trial operation

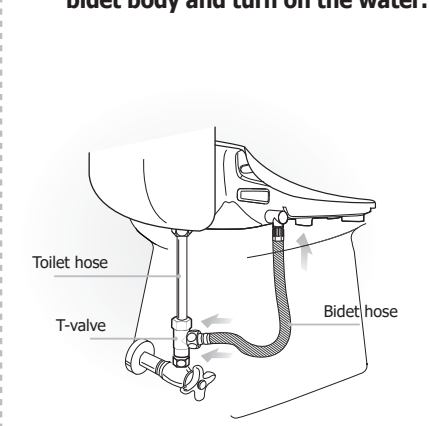
### 3 Fix the bracket onto the toilet first.



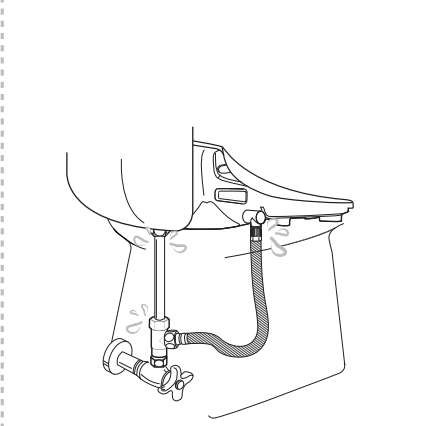
### 4 Push the main body toward the bracket completely.



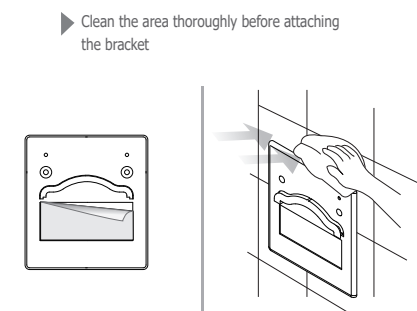
### 5 After installing the T-valve, connect the bidet-use hose to the bidet body and turn on the water.



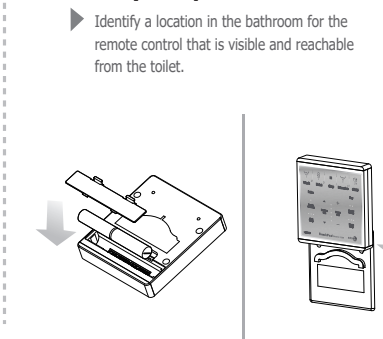
### 6 Be sure of no leakage around the hose connection.



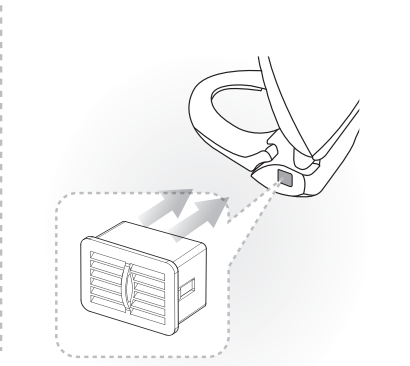
### 7 Remove the adhesive protection to attach the remote control bracket to the wall or other surface.



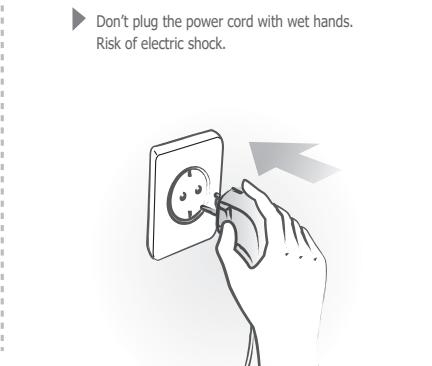
### 8 Insert two 'AA' type batteries (included) as indicated inside battery compartment.



### 9 Insert the deodorizing cartridge into the bidet body.



### 10 Be sure that the nozzle comes out and retract when powered on.

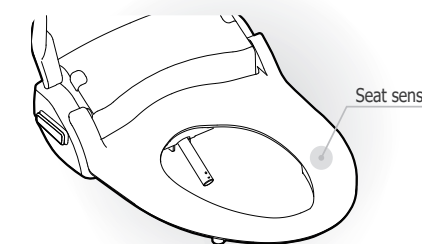


4

## How to Use

### 1 Sit on the toilet seat

▶ Be sure to sit on the seat sensor.  
If the sensor is not occupied, all functions will not operate.  
Deodorization starts automatically.



### 2 Wash, Bidet, Intensive

▶ Selected function can be used as described.  
When pressing the selected function again, nozzle will move back and forth to wash a wider range.  
Press the button once again to stop Massage function.  
SPLASHLET specialized water spray in Intensive function helps relieve constipation and fecal stasis.



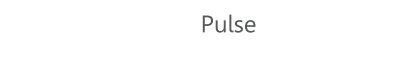
### 3 Dry Temperature Control

▶ Dryer operates for 3 minutes.  
Dryer temperature is adjustable by pressing power ctrl buttons. (5 levels)  
Dryer effect will be improved if you wipe the moisture lightly before operating the drying function.



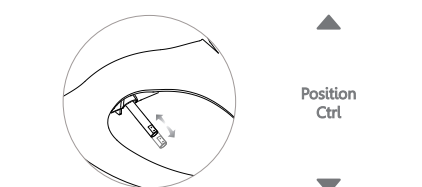
### 4 Pulse

▶ When pressing the Pulse button during the operation of Wash, Bidet, and Intensive, water pressure will repeat high and low for smooth pulsating wash.  
Pulse function will not operate during the operation of bath sit.  
\*See how to use section 5-14 for bath sit.



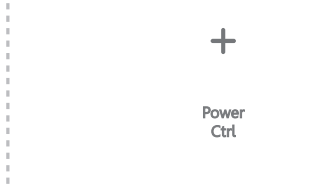
### 5 Nozzle Position Control

▶ Nozzle position is adjustable. (5 levels)



### 6 Water Pressure Control

▶ Water pressure is adjustable. (5 levels)  
If the water or screen filters become blocked, it may cause low water pressure.  
Regularly check the screen filter.



### 7 Stop

▶ All operations will stop.  
When pressing the Stop button for 3 seconds, unit will turn off.  
Press Stop, Wash, Bidet or Intensive to turn on.  
When pressing the Stop button on the side control panel for 5 seconds consecutively, the unit will be turned off and automatically initialized. All presets will be deleted.



### 8 Child Function

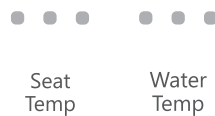
▶ When selecting Child function, settings\* will be adjusted for children.  
1 min Bidet - 30 sec Bidet Oscillating - 30 sec Bidet Pulse - 2 min Dry work consecutively.  
\*Settings  
Extra extended nozzle position  
Lower water pressure  
Lower seat temperature  
Lower water temperature



## 5

### 9 Seat / Water Temperature Control

- Seat / Water temperature is adjustable. (4 levels) (Off - Low - Middle - High)
- To reduce the chance of low temperature burns, the seat has a seat heater auto adjustment function which turns to low temperature (35°C, 95°F) when seat is occupied for more than 15 minutes consecutively. If the seat is set lower than middle level, the seat remain at off or low level.

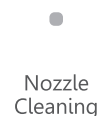


### 10 Energy Saving Function

- Automatic energy saving mode
  - This mode will be activated by pressing the Energy Saving button until yellow LED lamp lights on. (Seat and water temperature will be kept at 32°C)
- Powerful energy saving mode
  - This mode will be activated by pressing the Energy Saving button until green LED lamp lights on. (Seat and water heater will be kept off)
- Release of energy saving mode
  - Press the Energy Saving button until LED lamp turns off.
- When the unit is occupied, it adjusts to the preset temperature and it returns to the saving mode when seat is unoccupied.
- If the seat and water temperature are off, they will remain off.

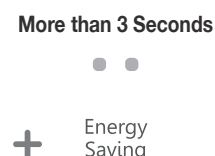
### 11 Nozzle Cleaning

- When selecting Nozzle Cleaning while not seated, the nozzle cleans itself 3 times. Then nozzle extends and stop for manual cleaning process.
- Clean the nozzle with a brush and press STOP button after completion of manual cleaning. Then nozzle cleans itself for 3 times and retracts.
- NOZZLE CLEANING will not operate if the seat sensor is activated.



### 12 Deodorization

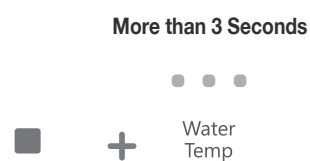
- When sitting on the seat, deodorizing function starts automatically.
- After leaving the seat, the deodorizing function operates for 1 additional minute.
- Automatic start deodorizing function can be cancelled/set by pressing Stop and Energy saving buttons for 3 seconds while not seated.



## How to Use

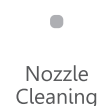
### 13 Automatic tank draining

- To protect water contamination, the water tank will be drained(replaced) for 2 minutes if the seat is not used for 48 consecutive hours.
- This feature is deactivated from the factory. To activate this feature, press Stop and Water Temp. buttons for 3 seconds.



### 14 Sitz Bath

- Wash or Bidet is switched to Wash Sitz Bath or Bidet Sitz Bath if Nozzle Cleaning button is selected during Wash or Bidet operation.
- Water pressure is switched to 1st level regardless preset water pressure setting and Sitz Bath operates for 5 minutes.
- LED of Nozzle Cleaning turns on during the operation of Sitz Bath.
- Select the Nozzle Cleaning again to switch to normal Wash or Bidet.



### 15 Seat Sensor Release

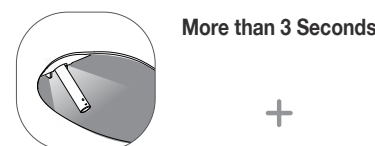
- The seat sensor can be activated and deactivated by pressing Pulse button for 3 seconds.
- If the seat sensor is deactivated, the unit works without occupying the seat and features\* cannot be controlled.

\* Features  
Night light, Silent mode, Nozzle cleaning.



### 16 Night Light

- Blue LED night light provides enough brightness to see the toilet without turning on the bathroom light.
- Night light can be turned on and off by pressing "+ " for 3 seconds while not seated.
- Night light setting cannot be adjusted if seat sensor release feature is activated.

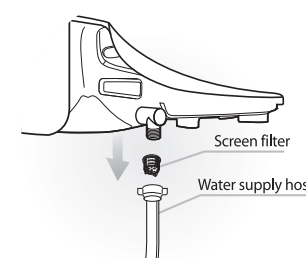


## 6

## Maintenance & Cleaning

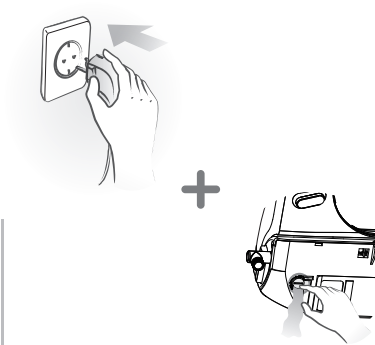
### Screen Filter Cleaning

- Close the water valve.
- Disconnect the water supply hose. Take the screen filter out and clean it with a soft brush.
- Return the filter after cleaning and reconnect the water supply hose.
- Open the water valve.



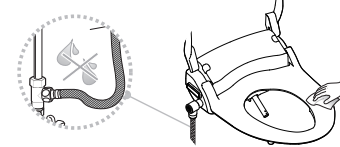
### Maintenance during Winter Season

When bidet seat is not used for an extended period of time, unplug and drain the unit.



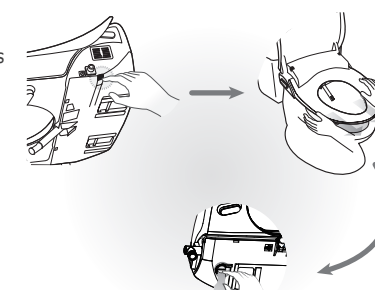
### Cleaning of Unit Body

- Exterior surface of unit is made of plastic material, which may be damaged by scrubber, chemicals, etc.
- Wipe the surface with a soft damp cloth. Do not spray water directly onto the surface.
- Clean the body after removing the power plug from the outlet. Be sure no water splashes into the power plug or outlet.
- Be careful of not dropping any chemical detergents or toilet cleaner on the water supply hose. Risk of the hose damage.



### Draining of Remaining Water

- Remove the power plug from the outlet.
- Close the water feed valve.
- Press the lever plate and gently pull to remove the unit from the catch plate.
- Use a coin to open the drain plug.



## 7

## Settings

### 7-1. User setting with the remote control

○ : Seat sensor 'on' status   ● : Regardless of on/off

No	Function	Seat status	Switch operation	Description	Initial status
1	Silent mode	●	" - " for longer than 3 seconds.	To turn on/off the operating chime sound.	ON
2	Seat sensor release	●	" Pulse " for longer than 3 seconds.	Seat sensor feature will be deactivated.	OFF
3	Automatic start deodorizing	○	" Energy Saving " for longer than 3 seconds.	Automatic deodorizing start feature will be deactivated.	ON
4	Night light	●	" + " for longer than 3 seconds.	To on/off the night light.	ON
5	Automatic tank draining	●	" ■ + " Water Temp " for longer than 3 seconds	Automatic tank draining feature will be deactivated.	OFF

### 7-2. User setting with the side control (auxiliary panel)

1	Factory default setting	●	" ■ " for longer than 5 seconds.	Press one of Stop, Wash or Bidet to power on.	
2	Sleep mode	●	" ■ " for longer than 3 seconds.	The unit will be in sleep mode. Press any of " Wash ", " Bidet " and " Dry " turn on.	OFF

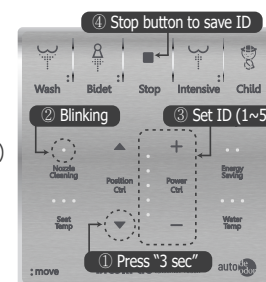
- \* The unit will work without sitting on the seat if the occupied seat sensor is deactivated. (turned off)
- \* If the seat sensor is deactivated, some features cannot be controlled. (Night light on/off, silent mode on/off and nozzle cleaning)
- \* Above features are deactivated with 1 buzzer sound and activated with 2 buzzer sounds.

## 7

## Settings

### 7-3. Remote ID setting

- ID setting is required to protect remote signal interruption if more than one bidet seats are installed at one place (public toilets)



- Press Nozzle Control "▼" for 3 seconds. The indicator of "Nozzle Cleaning" blinks and the unit is ready for ID setting.
- Set the ID by pressing Power Control "+" or "-" (1~5 IDs available)
- Press "Stop" to save the ID. The main unit will be synchronized simultaneously.

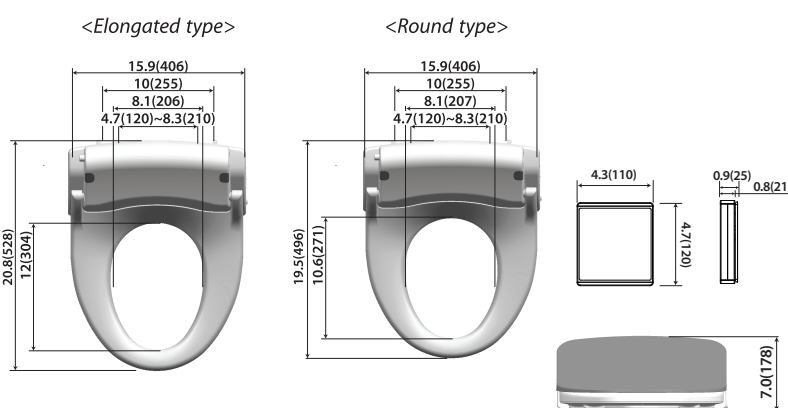
- \* The remote should be located near by the main unit when ID is set.
- \* Default ID of remote is "0"
- \* In case of battery replacement, power resetting of main unit or factory initialization, ID will be initialized, "0", and setting process should be done again.

## 9

## Comparison Chart

	Features	SplashLet 1500RB / 1500RC
Wash / Dry features	Wash	●
	Bidet	●
	Intensive	●
	Child	●
	Dry	●
Convenient / Comfortable features	Normal / Powerful energy saving	●
	Oscillating / Pulsating	●
	Continuous heated water	●
	Heated seat	●
	Soft closing	●
	One touch release	●
	Automatic deodorizing	●
	Nozzle cleaning	●
Seat sensor release	●	
Safety features	Night Light	●
	Remote control	●
	Low burn protection	●

### ■ Dimensions      inch(mm)



## 10

## Specifications

Item	SplashLet 1500RB / 1500RC	
Rated voltage	AC 220 ~ 240V, 50Hz ~	
Max. Power consumption	870W	
Power cord length	1.8m	
Water feed method	Directly connected to water pipe	
Recommended inlet water pressure	0.7 ~ 7.5MPa	
Wash	Feed Volume	Wash 0.5~0.8 l/min Bidet 0.5~0.7 l/min Intensive 0.5~0.7 l/min Child 0.5~0.6 l/min
	Pressure control	5 levels
	Temperature control	4 levels (off-low-middle-high)
	Heater capacity	800W
	Safety device	Water level sensor, Thermal fuse, Bi-metal, Temperature sensor
Heated seat	Temperature control	4 levels (off-low-middle-high)
	Heater capacity	55W
	Safety device	Thermal fuse
Dry	Temperature control	Room temp. ~ 50°C
	Heater capacity	250W
	Safety device	Thermal fuse, Bi-metal
Deodorization	Catalytic deodorization	
Feed water temp. tolerance range	3 ~ 35°C (recommended 12 ~ 35°C)	
Usage room temp. tolerance range	3 ~ 40°C (recommended 10 ~ 35°C)	
Dimension	SplashLet 1500RC	15.9"(406) x 20.8"(528) x 7.0"(178)
	SplashLet 1500R	15.9"(406) x 19.5"(496) x 7.0"(178)
Weight Net weight (Gross weight)	SplashLet 1500RC	5.1kg (7.3kg)
	SplashLet 1500RB	4.9kg (7.2kg)

## 8

## Troubleshooting

※ Please check the following points before requesting the repair service.

Problem	Check list
Completely out of order	<ul style="list-style-type: none"> <li>Check if the power plug is not connected.</li> <li>Check if the power supply or outlet is failed.</li> </ul>
Water does not spray out	<ul style="list-style-type: none"> <li>Check if the water supply is turned on.</li> <li>Check if water valve is locked.</li> <li>Check if nozzle is blocked by foreign material.</li> <li>Check if connection hose is bent.</li> </ul>
Water pressure is low	<ul style="list-style-type: none"> <li>Check if screen filter is blocked by foreign material.</li> <li>Check if the water pressure is set at too low level.</li> </ul>
Water is not warm enough	<ul style="list-style-type: none"> <li>Check if its temperature is set at off or low level, or economy mode.</li> </ul>
Seat is not warm enough	<ul style="list-style-type: none"> <li>Check if its temperature is set at off or low level, or economy mode.</li> </ul>
Water tank is drained intermittently	<ul style="list-style-type: none"> <li>Check if the automatic water draining feature activates.</li> </ul>

## Warranty

- We hereby guarantee the product as follow in accordance with the regulation of customer damage compensation.
- In case of failure of the product, please inform the distributor where you purchased the product.
- Product Warranty will be effective for one year from date of purchase.

Product Name	Warranty Period
Model Name	One (1) year since the date purchased
Date Purchased	
Serial Number	
Customer's Address	Name
	Tel.No
Distributor's Address	Name
	Tel.No.

### Regarding Product Warranty Regulation

- We will repair the product at free of charge in case it was failed under the normal operating condition in accordance with the user guide during the warranty period.
- Defects occurred from the usage with incorrect power voltage
- Defects occurred from the improper repair done by the person other than our service engineer
- Defects occurred from Force Majeure (fire, salt, flood)
- Failure or damage due to the drop, mis-handling during the operation after installed
- Defect occurred from the interior modification at user's discretion
- In case the life cycle of the part expired

### Voiding warranty

- Defects occurred from the user's careless handling
- Defects occurred from the usage with incorrect power voltage
- Defects occurred from the improper repair done by the person other than our service engineer
- Defects occurred from Force Majeure (fire, salt, flood)
- Failure or damage due to the drop, mis-handling during the operation after installed
- Defect occurred from the interior modification at user's discretion
- In case the life cycle of the part expired

Mail, email or fax the warranty form to:  
Your local dealer first where you bought this appliance

If your dealer is unable to assist you